

Aliaro Solution Brief

Performing Functional Testing

Perform functional tests on your powerful desktop functional tester from ALIARO and National Instruments. Easy to connect and with our open API it is easier to connect to your existing test framework than ever. Our re-configurable and multi-functional I/O's will greatly enhance your testing capabilities

Application Requirements

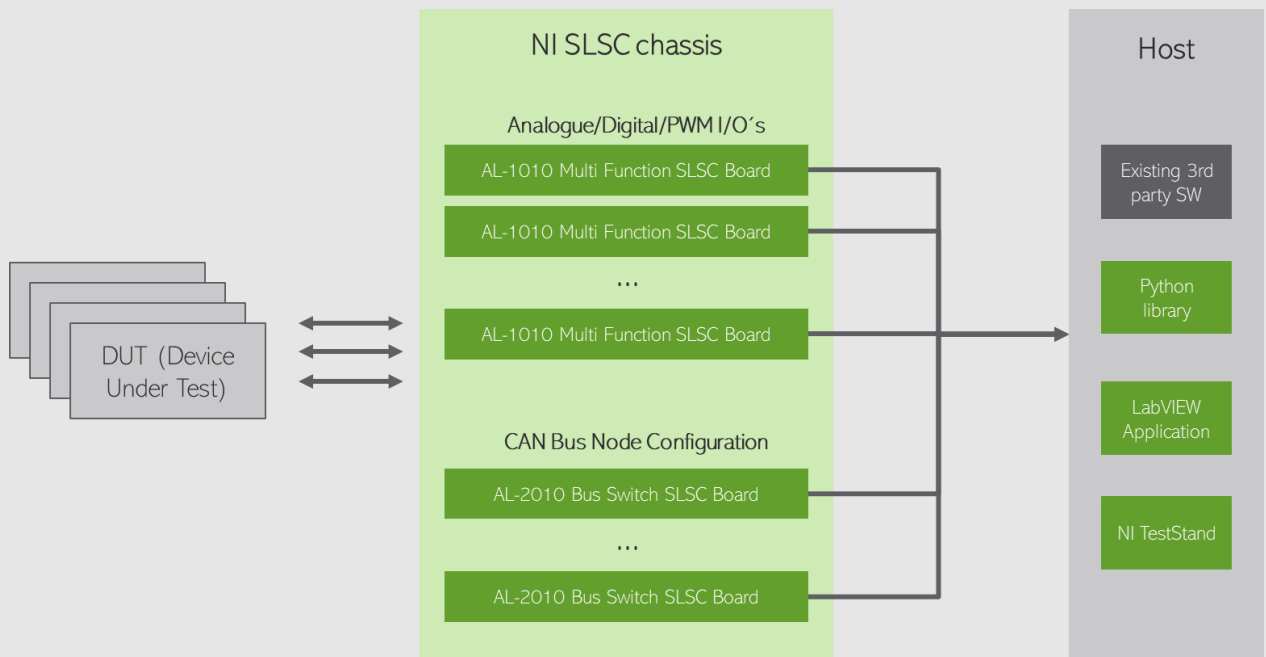
- Unknown test object parameters or changeable configuration
- Perform functional tests using manual and/or automated test cases
- Share the test environment between multiple projects

ALIARO Solution

By using pre-defined scripts, the user can re-configure each physical pin on the Functional Tester to be either an analogue, digital or PWM signal. You can also decide if it or input or output.

The communication will be performed by Python scripts or LabVIEW using Ethernet. The solution consists of an NI SLSC chassis and ALIARO's powerful SLSC modules to enable extraordinary capabilities. ALIARO is recommending a

mix of AL-1010 and AL-2010 SLSC modules for optimal capabilities. ALIARO offers the advantage of integration expertise and custom engineering from when implementing the Power Switch Solution.



About Aliaro

Aliaro is an established test solution & HIL provider and NI Silver Alliance Partner in Sweden with offices in Sweden, UK, China and USA. Together with NI, they design modular, flexible and cost-efficient solutions for testing and HIL that enable customers to work with open and changeable devices where rapid changes are allowed.

Contact Aliaro to learn more about how NI & Aliaro can help you increase product quality and accelerate testing timelines.

+46 31 533 900
sales@aliaro.com

NI + ALIARO = PERFORMANCE

The hardware and software from NI are used by customers world-wide to create high-performance solutions.

The ALIARO Functional Tester helps you develop and test multiple products and designs in a safe, robust and reliable environment.

The combination of NI and ALIARO technologies help you increase the usage of your investment and improving quality.



The example unit presented above is configured as:

1. One (1) NI SLSC Chassis
2. 144 channels for multi-function possibilities twelve (12) ALIARO AL-1010 Multi-Function board for SLSC.

Key Specifications	
Total Amount of I/Os for Analogue/Digital/PWM	<120
Total Amount of bus channels	< 32
Voltage (max)	+/- 60 V
Current (max)	10 Amps (parallel I/O channel up to 40 Amps)
Total Amount of bus channels	< 32 (possible matrix 4x4 / 2x8 / 1x16)
Communication with external test environment	Ethernet
Bus communication protocol support	CAN, LIN, Ethernet, Automotive Ethernet
Support scripts languages on host-PC	Pythons, LabVIEW

